

EL[®]MARK

The Brand of Electricity

CECI LED IN-GROUND

FIXTURES



GENERAL INFORMATION »

- ∴ Rated voltage: 220-240V/ 50-60Hz
- ∴ Power: 6W; 10W
- ∴ Colour temperature: 2700/4000 settable, 2700/4000/6500 settable
- ∴ Colour: Black; Grey
- ∴ Material: Resin with frosted diffuser
- ∴ UV resistant
- ∴ Protective insulation: Class II
- ∴ Protective low voltage: Class III
- ∴ Lamp holder: GU10, GX53
- ∴ Lamp included
- ∴ Protection against dust and moisture: IP67
- ∴ DRIVE-OVER (pressure load up to 2000 Kg.)

FEATURES »

- ∴ Modern and stylish round and square in-ground lamps
- ∴ Made of shockproof resin material
- ∴ UV-rays stabilized, rust and corrosion-free.

AREAS OF APPLICATION »

- ∴ Suitable for outdoor use
- ∴ Additional, aesthetic, spectacular, architectural lighting for gardens, parks, yard or other outdoor spaces

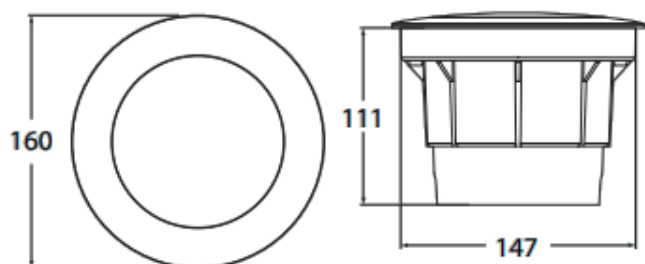


PRODUCT DETAILS »

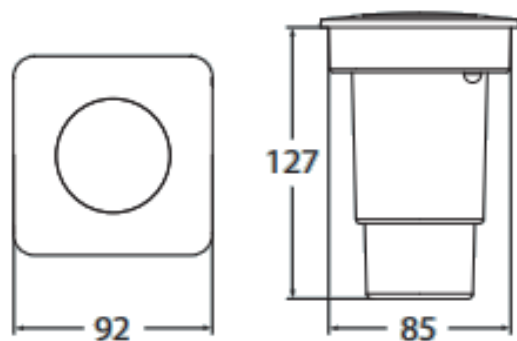
Catalogue number	Model	Watt (W)	Whole fixture lumens (lm)	Lamp holder:	Colour temp. (K)	Colour body
96CECI90SQ/BL	CECI 90 SQUARE	6	600	GU10	2700/4000 settable	Black
96CECI90SQ/GR	CECI 90 SQUARE	6	600	GU10	2700/4000 settable	Grey
96CECI160/BL	CECI 160 ROUND	10	1200	GX53	2700/4000/6500 settable	Black
96CECI160/GR	CECI 160 ROUND	10	1200	GX53	2700/4000/6500 settable	Grey

DIMENSIONS »

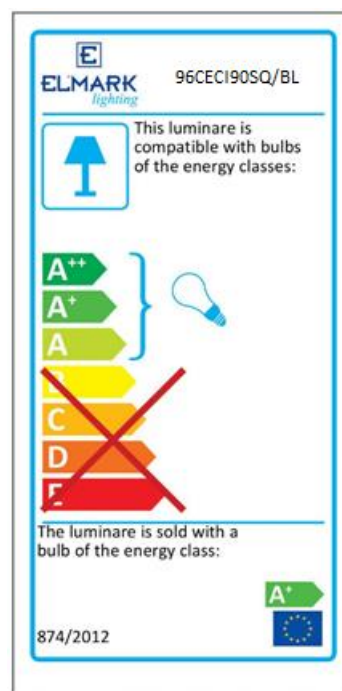
CECI 160 ROUND



CECI 90 SQUARE



ADDITIONAL INFORMATION »



Catalogue number	Barcode	Packing/Box (pcs)
96CECI90SQ/BL	8031874228650	1/40
96CECI90SQ/GR	8031874228698	1/40
96CECI160/BL	8031874223907	1/18
96CECI160/GR	8031874223914	1/18

